

# Three-phase, primary switched mode power supply, Economy **PVSE 400/48-10**



Picture shows PVSE 400/24-10

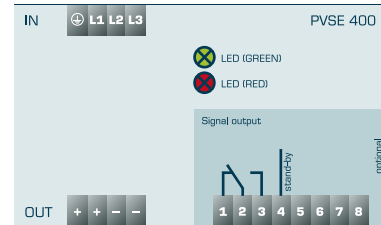
## Advantages

|  |
|--|
| Stabilised and adjustable output voltage                   |
| Up to 200 % Real Power Boost for 4 seconds                 |
| Top Boost to trip conventional circuit breakers            |
| DC OK signalling   |
| Parallel connection option                                 |
| Service-friendly spring-loaded connector system            |
| Can be supplied with active inrush current limiting option |
| Can be supplied with isolated DC OK signalling function    |
| Panel installation on mounting rails                       |

## Applications

Primary switched mode power supply with massive power reserves focussing on the key task of power supply.

## Sample application



## Approvals



UL/CSA 60950 recognised, UL508 listed

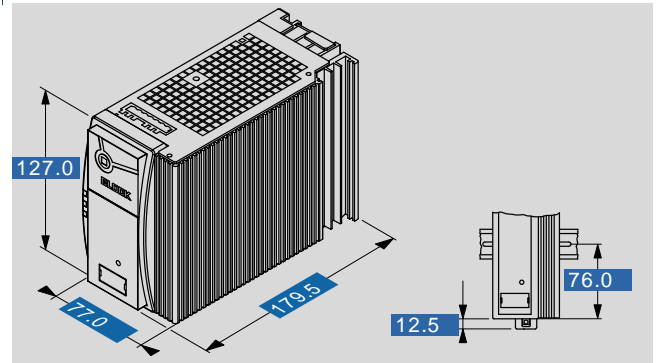


# Three-phase, primary switched mode power supply, Economy

## PVSE 400/48-10

| Type  | PVSE 400/48-10                   |
|---|----------------------------------|
| <b>Electrical data</b>                            |                                  |
| <b>Input</b>                                      |                                  |
| Input rated voltage                               | 3 x 400 - 500 Vac                |
| Input voltage range                               | 340 - 550 Vac (480 - 780 Vdc)    |
| Input rated current (rated load)                  | 1.1 A (3 x 340 Vac)              |
| Rated frequency range                             | 44 Hz - 66 Hz / 0 Hz             |
| Starting current limiter                          | <30 A, NTC                       |
| Input fuse internal                               | 3 x 6.3 A (slow-blow)            |
| Recommended back-up fuse (circuit breaker)        | 10 A, 16 A, characteristics B, C |
| Harmonic correction                               | passive                          |
| Mains buffering (rated load)                      | 12 / 35 ms<br>(400 / 500 Vac)    |
| Transient surge voltage protection                | Varistor                         |
| <b>Output</b>                                     |                                  |
| Output rated voltage                              | 48 Vdc                           |
| Output voltage range                              | 37 - 51 Vdc                      |
| Resistance to reverse feed max.                   | 63 Vdc                           |
| Output rated current                              | 10.00 A                          |
| Parallel connection                               | Yes                              |
| Power Boost                                       | 15 A / 4 s (12.5 A / 8 s)        |
| Overload behaviour                                | Constant current                 |
| max. Power loss idling/nominal load               | 8.2 / 38 W                       |
| Serial operation                                  | Yes                              |
| Efficiency  | typ. 93 %                        |
| Ripple factor                                     | typ. 70 mVss                     |
| Top Boost   | 55 A / 50 ms                     |
| <b>Signaling</b>                                  |                                  |
| Power Good (DC OK)                                | LED green, LED red               |
| Potential free signal contact                     | Yes                              |
| Stand-by-input                                    | Yes                              |
| <b>Approvals</b>                                  |                                  |
| Approvals   | cURus, cULus                     |
| <b>Environment</b>                                |                                  |
| Ambient temperature                               | -25° C to +70° C                 |
| Storage temperature                               | -25 °C to +85 °C                 |
| Derating  | -3 %/K > +50 °C                  |
| <b>Safety and protection</b>                      |                                  |
| Protection index                                  | IP 20                            |
| Safety class                                      | I, with PE connection            |
| <b>Accessory</b>                                  |                                  |
| Connector for signalling                          | PV-CON (optional)                |
| Side DIN rail mounting                            | PV-TS35M (optional)              |
| Direct screw fastening plate for lateral mounting | PV-WB2 (optional)                |
| <b>Order numbers</b>                              |                                  |
| <b>Order Number</b>                               | <b>PVSE 400/48-10</b>            |

| Type   | PVSE 400/48-10           |
|--|--------------------------|
| <b>Mechanical data</b>                                   |                          |
| <b>Terminal and mounting</b>                             |                          |
| Terminals input, (spring clamp terminal, pluggable)      | max. 2.5 mm <sup>2</sup> |
| Terminals output, (spring clamp terminal, pluggable)     | max. 10 mm <sup>2</sup>  |
| Terminals signalling, (spring clamp terminal, pluggable) | max. 0.5 mm <sup>2</sup> |
| Mounting position  | vertical                 |
| Fixing method  | DIN Rail system TS35     |
| <b>Measures and weights</b>                              |                          |
| Weight   | 1.76 kg                  |



Subject to change.